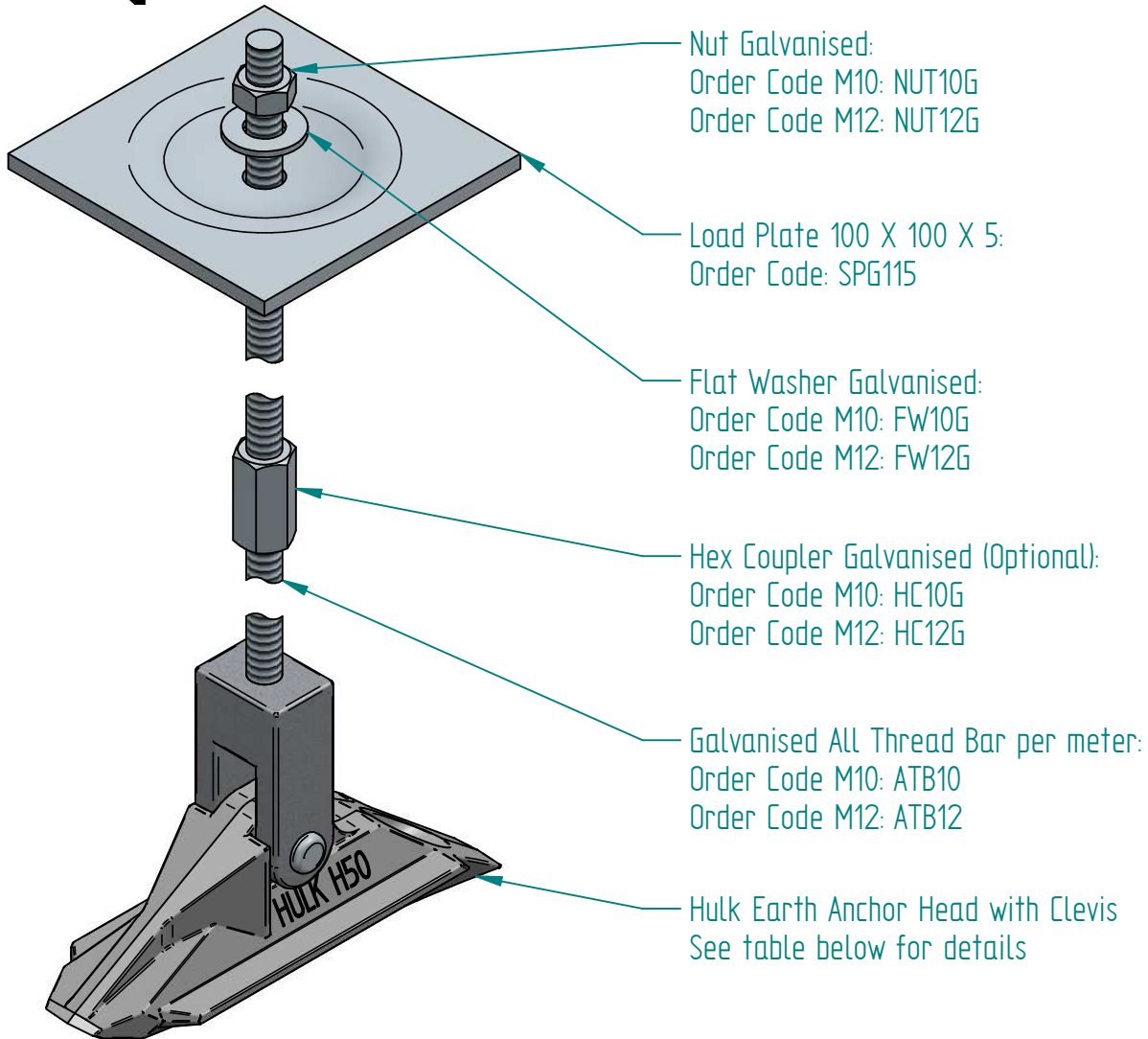




REVISION HISTORY

REV	DESCRIPTION	DATE	APPROVED



Hulk Earth Anchor Head with Clevis Options				
Order Code	Anchor Model	Thread	Quantity per case	Weight per case
HP35C10	Hulk HP35	M10	20	10
HP35C12		M12		
H50C10	Hulk H50	M10	15	18
H50C12		M12		
H80C10	Hulk H80	M10	12	16
H80C12		M12		
H110C10	Hulk H110	M10	10	15
H110C12		M12		

TITLE TRM Threaded Rod Asm.	REV 0	SCALE 1:2		NAME JUSTIN	DATE: 2014-09-15	DISTRIBUTED BY:
DRAWING NUMBER HLK-TRMT	WEIGHT N/A	SIZE A4	DRAWN	ROBERT	2014-09-15	
Unless otherwise specified: All dimensions are in millimeters, Tolerance ±0.2mm, ±0.5°	Sheet 1 of 1		CHECKED	JUSTIN	2014-09-15	
			APPROVED	HULK-TRMT - Threaded Rod Assembly.dft		